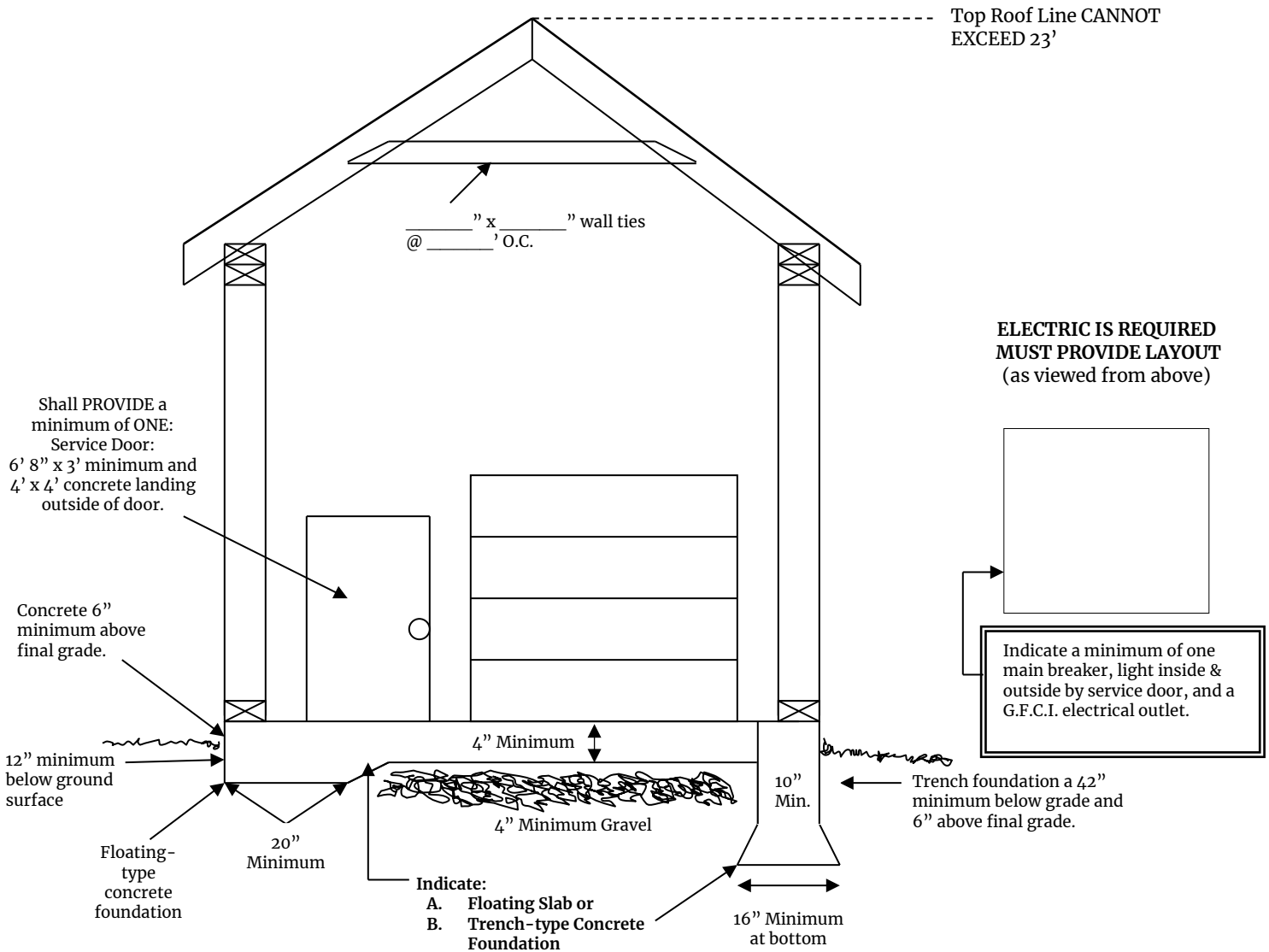




Detached Garage Diagram



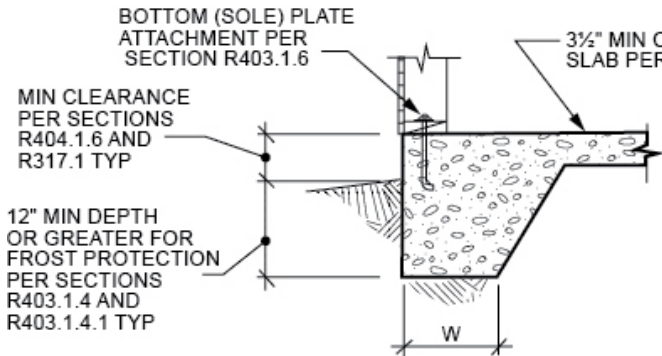
One of the following foundations, (A) or (B), to be used:

- Grade beam-floating slab construction permitted – consisting of a 5" CONCRETE floor on a minimum 4" of compacted crushed stone-sand and gravel poured monolithically with a minimum 10" tacked outer edge a width of 20" around perimeter of building, said 20" grade beam to be of equal depth and on undisturbed soil.
- Trench foundation-combined foundation wall and footing is allowed provided it goes down a minimum of 3'-6" below grade and the bottom is flared to a minimum of 1'4". Wall width shall be wide enough to support wall above, but in no event less than 8" minimum width.

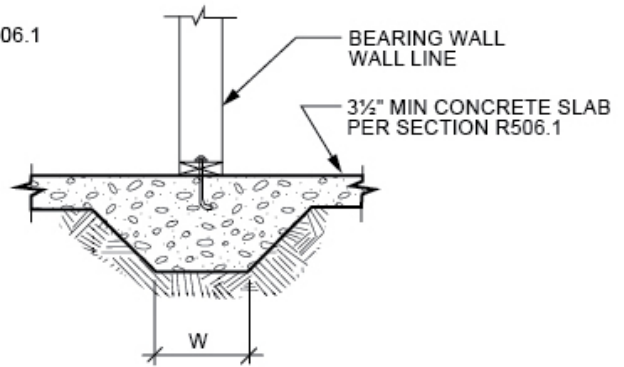
Most detached garages are not required to be built on frost footing/foundation; however, this may depend on the grade or soil conditions of your property. The first two examples are most typical.

Unfinished Detached Garage (maximum of 600 square feet)

Floating Slab-on-grade: Wall framing and plate lay directly on thickened perimeter footing.



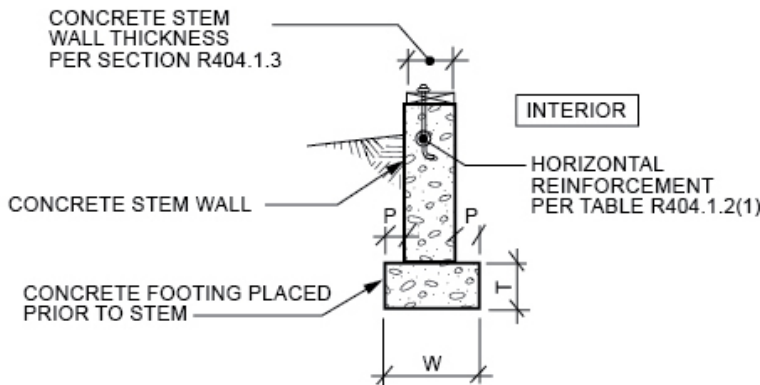
a MONOLITHIC SLAB-ON-GROUND WITH TURNED-DOWN FOOTING
SCALE: NOT TO SCALE



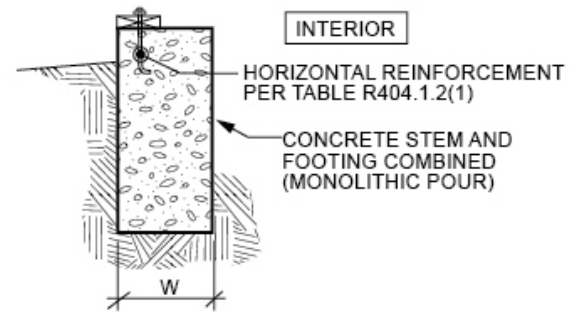
b THICKENED SLAB-ON-GROUND FOOTING AT BEARING WALLS OR BRACED WALL LINES
SCALE: NOT TO SCALE

Standard Detached Garage Foundation

1 Course Masonry Foundation: Wall framing and pate sit on one course of masonry block on top of thickened perimeter footing.



c BASEMENT OR CRAWL SPACE WITH CONCRETE WALL AND SPREAD FOOTING
SCALE: NOT TO SCALE



d BASEMENT OR CRAWL SPACE WITH FOUNDATION WALL BEARING DIRECTLY ON SOIL
SCALE: NOT TO SCALE